

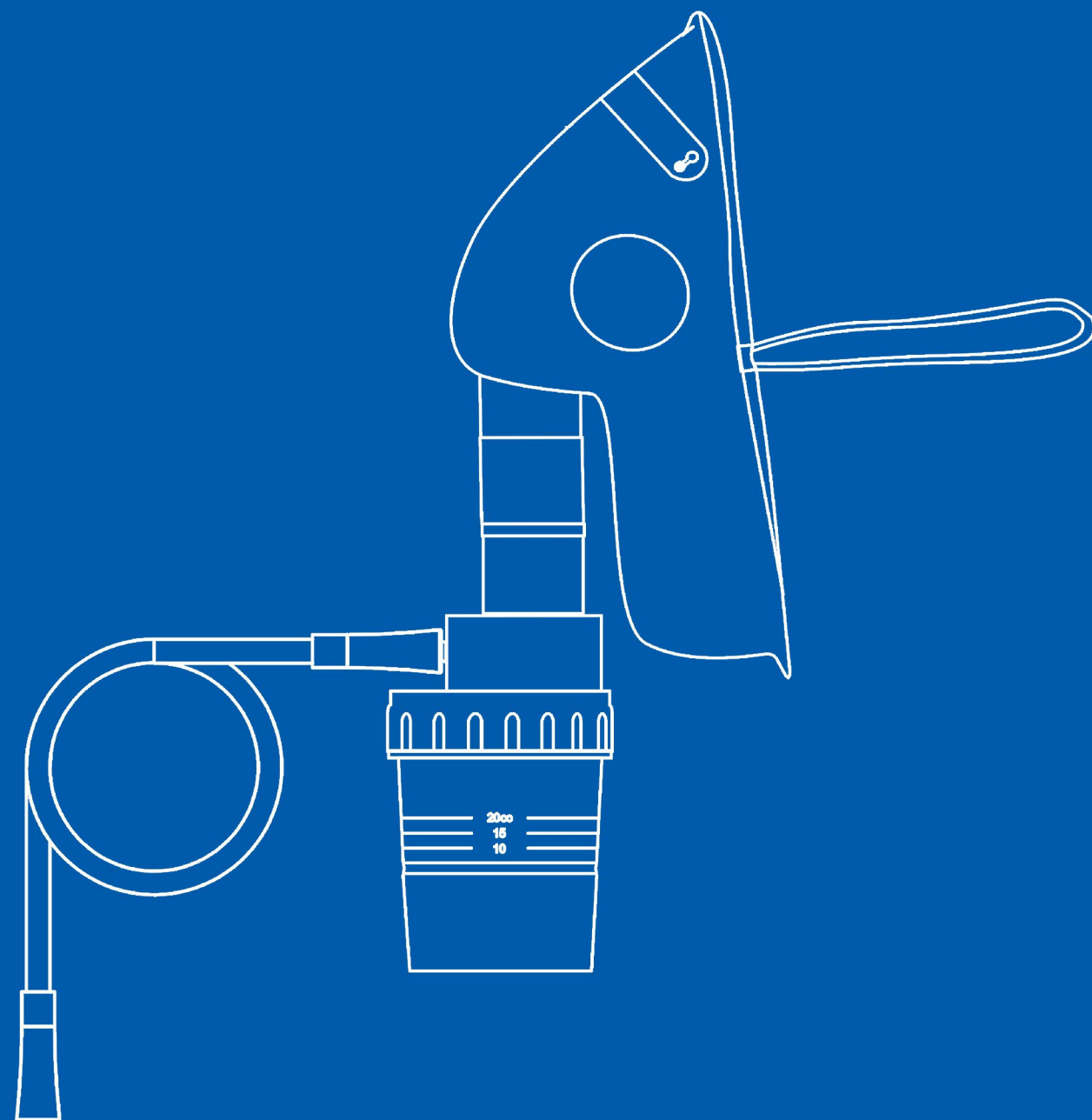


Oxygen & Aerosol Therapy

陕械注准2019080032

Electric Compressed Air Nebulizer

陕械注准20212080123



Product features

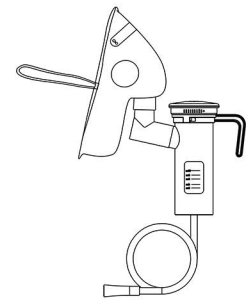
- According to Venturi principle, use oxygen as power to vaporize the liquid medicine.
- Aerosol particles are small and can reach the bronchi ends.
- Different capacities of nebulizing cups are available.



Clinical guideline

- It is the instrument chosen by patients with various tracheal and bronchial diseases for nebulization treatment.

Mask-type oxygen nebulization inhaler (simple)



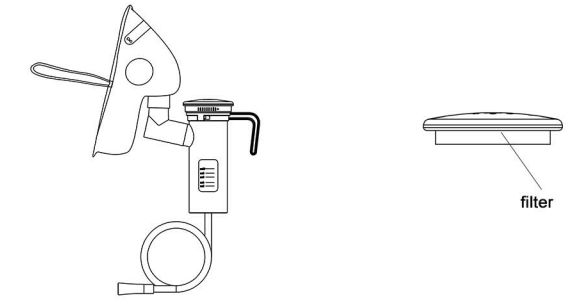
DRT-BC			
Code	Size	Dead Specs	Qty
080740	adult	10ml	40

DRT-BR			
Code	Size	Dead Specs	Qty
080742	child	10ml	40

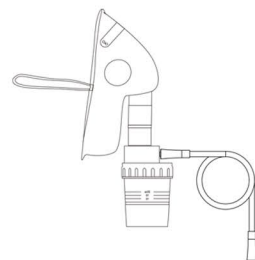
Code	Size	Dead Specs	Qty
080717	adult	6ml	40
080718	adult	10ml	40
080719	adult	20ml	40
080720	adult	30ml	40

Code	Size	Dead Specs	Qty
080721	child	6ml	40
080722	child	10ml	40

Mas-type oxygen nebulizing inhaler (filter)



Mask-type oxygen nebulization inhaler (Venturi)



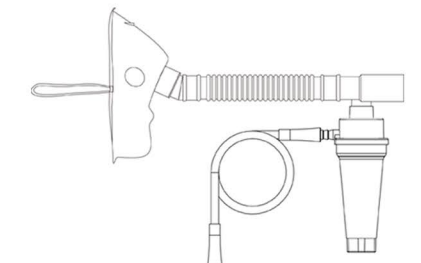
DRT-DC			
Code	Size	Dead Specs	Qty
080711	adult	6ml	40
080712	adult	10ml	40
080713	adult	20ml	40
080714	adult	30ml	40

DRT-DR			
Code	Size	Dead Specs	Qty
080715	child	6ml	40
080715	child	10ml	40

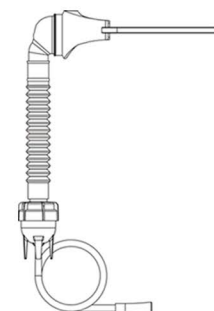
Code	Size	Dead Specs	Qty
080705	adult	6ml	40
080706	adult	10ml	40
080707	adult	20ml	40
080708	adult	30ml	40

DRT-DR			
Code	Size	Dead Specs	Qty
080709	child	6ml	40
080710	child	10ml	40

Mask-type oxygen nebulization inhaler (rotatable)



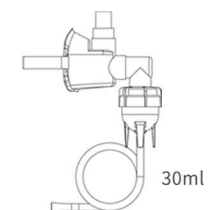
Mask-type oxygen nebulization inhaler (tracheostomy)



DRT-Q			
Code	Size	Dead Specs	Qty
080727	adult	6ml	40
080728	adult	10ml	40
080729	adult	20ml	40
080730	adult	30ml	40

Code	Size	Dead Specs	Qty
080731	adult	6ml	40
080732	adult	10ml	40
080733	adult	20ml	40
080734	adult	30ml	40

Mask-type oxygen nebulization inhaler (nasal mask)



Product features

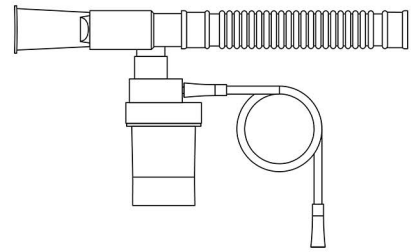
- According to Venturi principle, use oxygen as power to vaporize the liquid medicine.
- Aerosol particles are small and can reach the bronchi ends.
- Different capacities of nebulizing cups are available.



Clinical guideline

- It is the instrument chosen by patients with various tracheal and bronchial diseases for nebulization treatment.

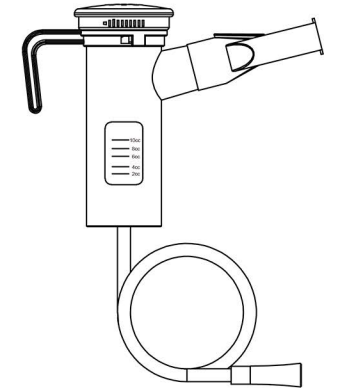
Suction-nozzle-type oxygen nebulization inhaler (universal)



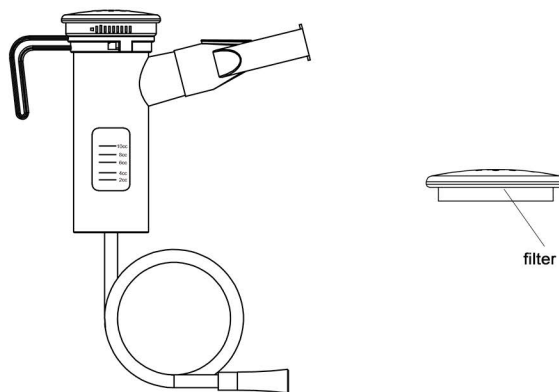
DRT		
Code	Dead Specs	Qty
080700	6ml	50
080701	10ml (blue)	50
080702	10ml (green)	50
080703	20ml	50
080704	30ml	50

DRT-B		
Code	Dead Specs	Qty
080743	6ml	50
080744	10ml	50

Suction-nozzle-type oxygen nebulization inhaler (simple)



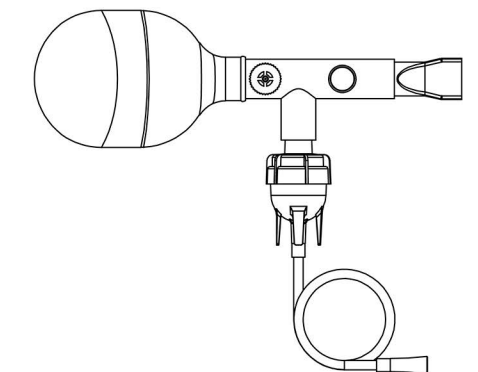
Suction-nozzle-type oxygen nebulization inhaler (filter)



DRT-G		
Code	Dead Specs	Qty
080745	6ml	50
080746	10ml	50
080747	20ml	50
080748	30ml	50

DRT-CH		
Code	Dead Specs	Qty
080723	6ml	50
080724	10ml	50
080725	20ml	50
080726	30ml	50

Suction-nozzle-type oxygen nebulization inhaler (mist storage through valve)



Product features

- Special oxygen nebulization inhaler for respiratory tract is used together with ventilator tubes.
- Dual Spray Inhaler provides long-term nebulization therapy.
- The electric compressing air nebulizer can be used at home.

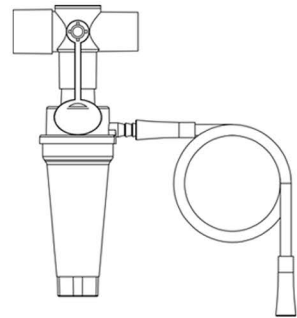


Clinical guideline

- It is the instrument chosen by patients with various tracheal and bronchial diseases for nebulization treatment

Oxygen nebulization inhaler special for respiratory tract

Asthma-type nebulization inhaler (storage tank)

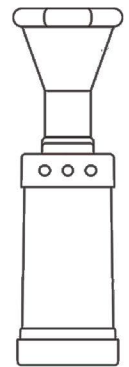


DRT-HW		
Code	Dead Specs	Qty
080735	6ml	50
080736	10ml	50
080737	20ml	50
080738	30ml	50

DRT-XC		
Code	Size	Qty
080749	adult	50

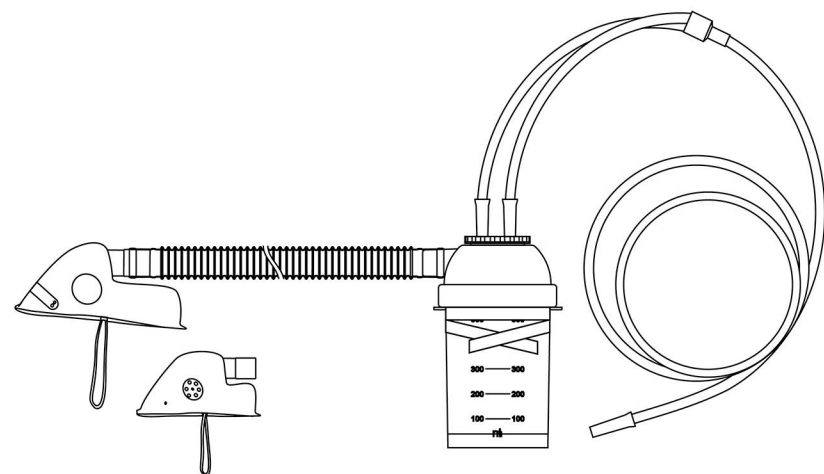
DRT-XR		
Code	Size	Qty
080750	child	50

DRT-XX		
Code	Size	Qty
080751	infants	50



Double-spraying nebulizing inhaler

Electric compressed air nebulizer



DRT-U		
Code	Dead Specs	Qty
080752	500ml	8

DRDT-01		
Code	Size	Qty
08070	general	16

*For more models and specifications, please refer to the product search table.

